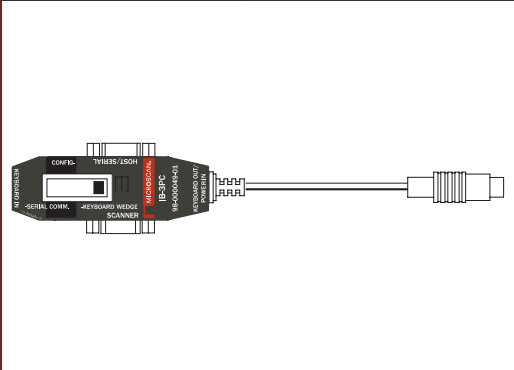


## IB-3 SERIES SPECIFICATION



### IB-3 PC

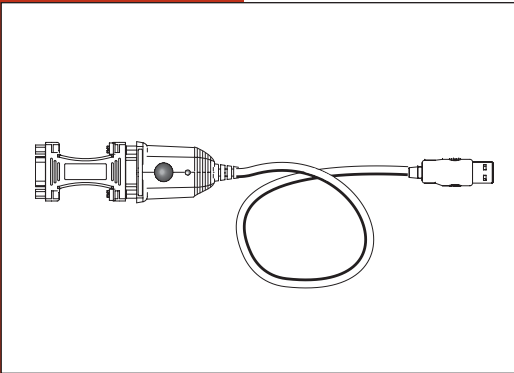
The IB-3 PC is a dual-purpose interface device that operates in two different operating modes (selectable by switch):

#### Keyboard Wedge:

- Data is sent to PC's keyboard port.
- Keyboard is connected to IB-3 PC.
- Power is taken from PC's keyboard port.

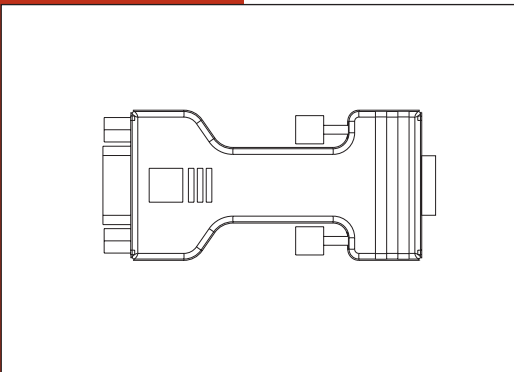
#### Serial Interconnect:

- Communication is via DB-9, RS-232 serial port.
- Power is provided from a 5 VDC power supply with keyboard style connector or taken from a PC's keyboard port.



### IC-3 USB

- The IC-3 USB allows the MS-3 to be connected to a PC's USB 1.X connector.
- When the MS-3 is connected through the IC-3 USB, its data is compatible with the USB 1.X protocol.
- The IC-3 USB allows the MS-3 to draw 5 VDC from the USB connector, thus allowing the IC-3 USB and an MS-3 to function without an external power supply.



### IC-331

The IC-331 allows the MS-3 to be connected to the IB-131.

- When the MS-3 is connected through the IC-331, its pinout is similar to an MS-820/MS-911.
- The IC-331 provides 5 VDC for the MS-3 from the 10-28 VDC power which is connected to the IB-131.
- The IC-331 provides optoisolation for the trigger input and programmable outputs of the MS-3.

See reverse side for configuration diagrams and pinouts.

## MICROSCAN®

#### Microscan Corporate Office

Tel 425 226 5700 / 800 251 7711  
Fax 425 226 8250

#### Microscan Europe

Tel 31 172 423360 / Fax 31 172 423366

#### Microscan Asia Pacific RO

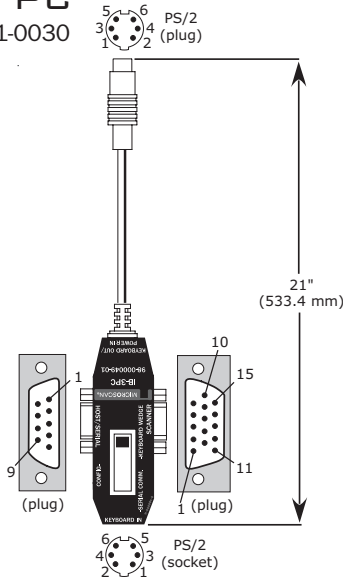
Tel 65 6846 1214 / Fax 65 6846 4641

#### www.microscan.com

E-mail: info@microscan.com  
Tech Support: helpdesk@microscan.com

# IB-3 SERIES SPECIFICATIONS AND OPTIONS

## IB-3 PC FIS-0001-0030



## SCANNER CONNECTOR 15 Pin D-sub Plug

Pin No.	Host RS232	In/Out
1	Power +5 VDC	Out
2	TxD	In
3	RxD	Out
4	Power/Signal Ground	
5	NC	
6	NC	
7	NC	
8	Default	In
9	NC	
10	NC	
11	NC	
12	NC	
13	NC	
14	NC	
15	NC	

**SAFETY CERTIFICATIONS DESIGNED FOR**  
FCC, UL/cUL, CE

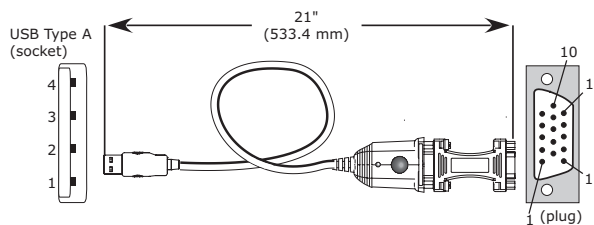
## HOST CONNECTOR 9 Pin D-sub Plug

Pin	Signal
1	NC
2	RxD
3	TxD
4	NC
5	GND
6	NC
7	NC
8	NC
9	NC

## PS/2 KEYBOARD CONNECTOR 6 Pin PS/2 Socket and Plug

Pin	Signal
1	Data
2	NC
3	GND
4	+5
5	Clock
6	NC

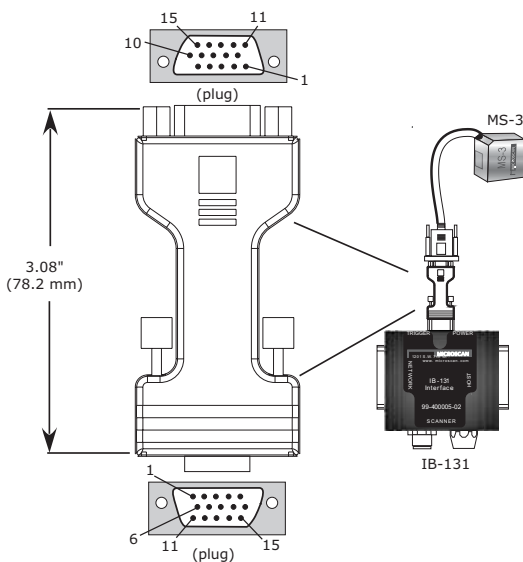
## IC-3 USB 98-000051-01



## SCANNER CONNECTOR 15 Pin D-sub Plug (same as above) USB TYPE A CONNECTOR 4 Pin Socket

Pin	Signal
1	+5
2	-Data
3	+Data
4	GND

## IC-331 FIS-0001-0029



## IC-331 TO MS-3 CONNECTOR 15 Pin D-sub Plug (with fixed nuts)

Pin No.	Host RS232	Host/Aux RS232	Host RS422/485	In/Out
1	Power +5 VDC			Out
2	TxD	TxD	TxD (-)	In
3	RxD	RxD	RxD (-)	Out
4	Power/Signal Ground			
5	NC			
6	RTS	Aux TxD	TxD (+)	In
7	Output 1 TTL			In
8	Default configuration			Out
9	Trigger			Out
10	CTS	Aux RxD	RxD (+)	Out
11	Output 3 TTL			In
12	New Master (NPN)			Out
13	Chassis ground			
14	Output 2 TTL			In
15	NC			

## ELECTRICAL

**Input Power Requirements:** 10-28VDC, 200mV p-p max ripple, 3.5W max (IC-331 and MS-3)

**Output Power Specifications:** 5VDC +/-2%, 200mV p-p max ripple, 2.5W max (to scanner)

## DISCRETE I/O

**Trigger Input:** Optoisolated, 5-28V rated (23mA at 24VDC)

**New Master Input:** Optoisolated, 5-28V rated (23mA at 24VDC), New Master (-) to signal ground

**Outputs (1,2,3):** Optoisolated, 1-28V rated, ( $I_{ce} < 100mA$  max, must be limited by user)

## IC-331 TO IB-131 CONNECTOR 15 Pin D-sub Plug (with thumb screws)

Pin No.	Host RS232	Host/Aux RS232	Host RS422/485	In/Out
1	Power +10 to 28 VDC			In
2	Host TxD	Host TxD	TxD (-)	Out
3	Host RxD	Host RxD	RxD (-)	In
4	Power/Signal Ground			
5	Trigger (-)			In
6	RTS	Aux TxD	TxD (+)	Out
7	Output 1 (+)			Out
8	Default configuration			In
9	Trigger (+)			In
10	CTS	Aux RxD	RxD (+)	In
11	Output 3 (+)			In
12	New Master (+)			In
13	Chassis ground			
14	Output 2 (+)			Out
15	Outputs 1,2,3 (-)			Out

## CE MARK

**General Immunity:** EN 55024: 1998 ITE Immunity Standard

**Radiated and Conducted Emissions:** EN 55022: 1998 ITE Disturbances

## SAFETY CERTIFICATIONS

FCC, UL / cUL, CE

Specifications subject to change.

©2004 Microscan Systems, Inc. 03/04  
P/N 83-210036, Rev. 2-Special Update

Specifications subject to change.  
ISO 9001/Cert. No. 02-1071