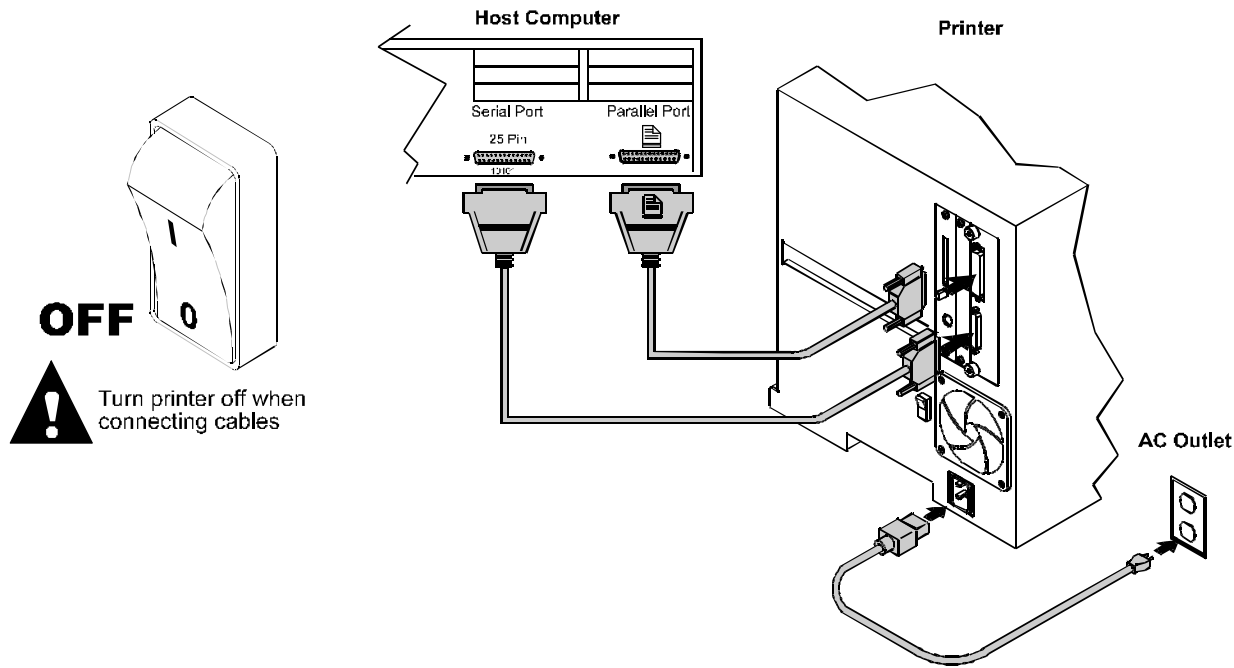


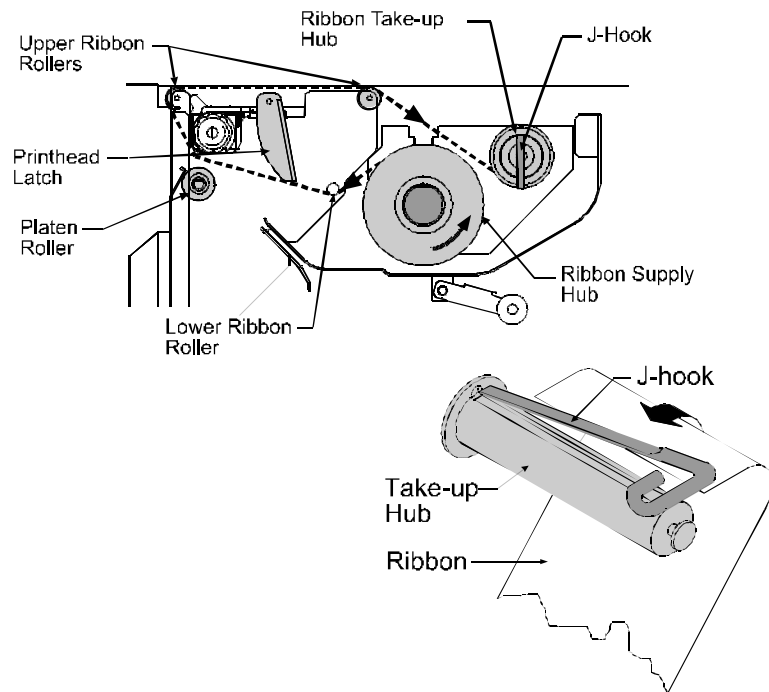
1

Printer Connections



2

Ribbon Loading



- Rotate the Printhead Latch and raise the printhead
- Slide the ribbon onto Ribbon Supply Hub
- Route the Ribbon as shown
- Wrap the ribbon around the Ribbon Take-up Hub and install the J-Hook
- Close the printhead and rotate the Ribbon Take-up Hub to remove the slack in the ribbon



Quick Start Guide

Corporate Headquarters
4501 Parkway Commerce Blvd.
Orlando, FL 32808
Phone: 407-578-8007
Fax: 407-578-8377



Asia-Pacific
19 Loyang Way
#01-01 CILC Building
Singapore 508724
Phone: +65 542-2611
Fax: +65 542-3611

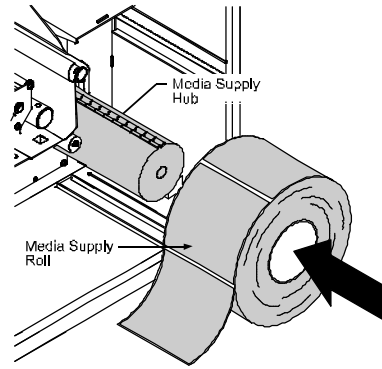
Datamax International
Herbert House
12 Elizabeth Way, Pinnacles
Harlow, Essex CM19 5FE UK
Phone: +44 1279 772200
Fax: +44 1279 424448

For the latest products, news, and support visit our web page at

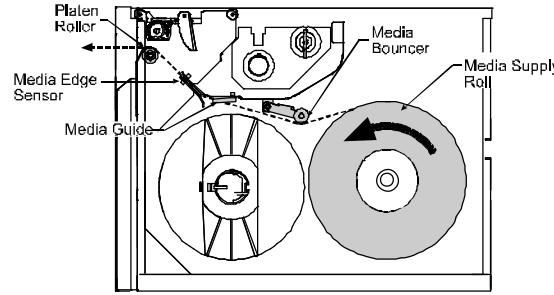
www.datamaxcorp.com

3

Loading Media

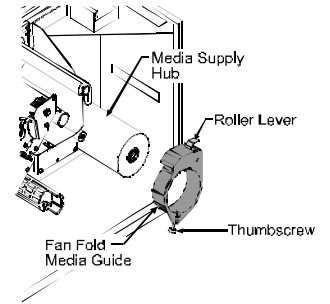


- Rotate the Printhead Latch and raise the printhead
- Slide the Roll Media onto the Media Hub
- Route the Media as shown ➔



Internal Media Loading

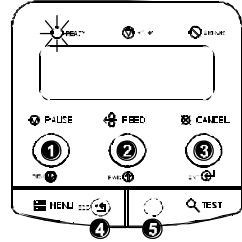
- Route the media through one of the external slots in the printer and over the top of the Media Supply Hub.
- With the Roller Lever in its down slide the Fan Fold Media Guide onto the Media Supply Hub until it rests against the inside edge of the slot in the Fan Fold Guide and raise the Roller Lever to its up position.
- Tighten the Thumbscrew on the bottom of the Fan Fold Guide.



External Media Loading

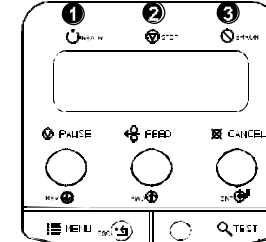
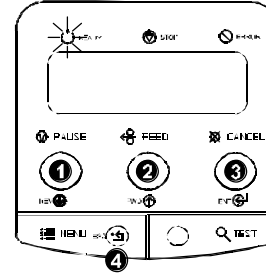
4

Printer Controls



- 1 Pause:** Toggles the pause condition.
- 2 Feed:** The FEED button feeds a label, and clears any faults that have been corrected.
- 3 Cancel:** Cancels a job and pauses the printer.
- 4 Menu:** Toggles between the ready and menu mode.
- 5 Test:** Enables the quick test mode, see the Operators Manual for additional information.

- 1 Arrow Up:** Moves to the next item in the menu tree, (increase values).
- 2 Arrow Down:** Moves to the previous item in the menu mode, (decrease values).
- 3 Enter:** Selects a displayed item or value.
- 4 ESC:** Moves to the previous menu level.



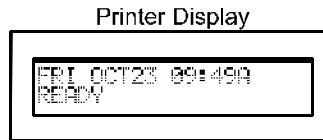
- 1 Ready:** On indicates ready, blinking indicates menu mode.
- 2 Stop:** On indicates paused state.
- 3 Error:** On indicates a fault. To clear a fault press the feed button.

5

Printing a Test Label

With the Printer On, and loaded with media (at least 6 inches wide):

- Verify the printer is in the 'Ready Mode' ➔
- Press the TEST button.
- Using the button scroll to 'Print Config Label'. Press the TEST button again, after a brief hesitation the printer will print one Configuration Label.



6

Additional Information

- Refer to the Operator's Manual for the Printhead Cam Adjustment when using narrow media.
- Be sure to follow and perform the suggested Cleaning Schedule listed in the Operator's Manual.

Contacting Datamax...

Corporate Headquarters (407) 578-8007
 Technical Support (407) 523-5540

For the latest products, news, and support visit our web page at

www.datamaxcorp.com